

TABLE 1: MD-XX SERIES CAMERA KIT OPTIONS

PART NO.	MODEL NO.	BRIEF DESCRIPTION
4899A	MD-90	CAMERA ELITE DIGITAL MINI DOME, 3.6MM LENS + BE-L100 CABLE CONNECTOR, PAL FORMAT
5164A	MD-91	CAMERA ELITE DIGITAL MINI DOME, 3.6MM LENS + BE-L100 CABLE CONNECTOR, NTSC FORMAT
5305	MD-90	CAMERA ELITE DIGITAL MINI DOME, 3.6MM LENS + BE-L100 CABLE CONNECTOR, AHD 720P 25FPS
5306	MD-91	CAMERA ELITE DIGITAL MINI DOME, 3.6MM LENS + BE-L100 CABLE CONNECTOR, AHD 720P 30FPS

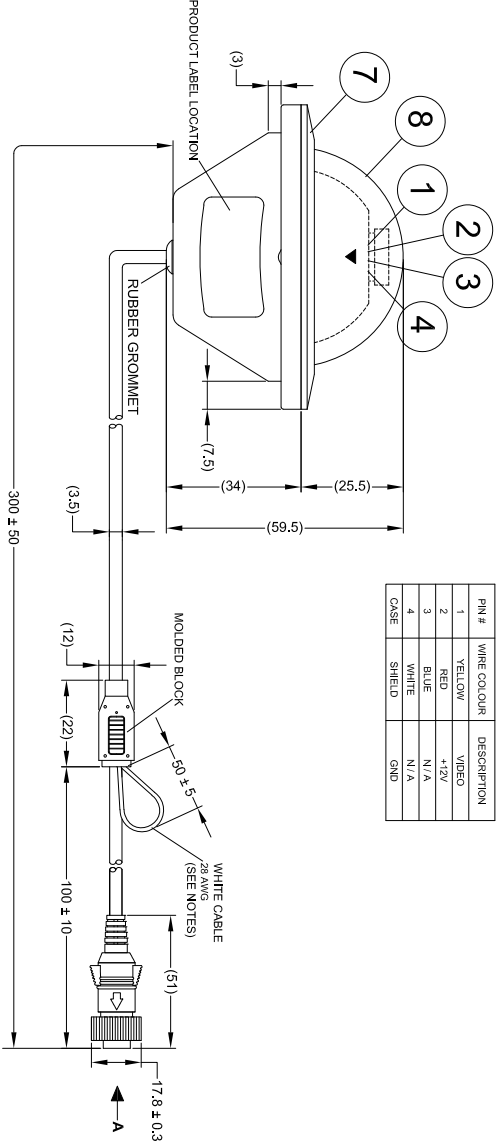
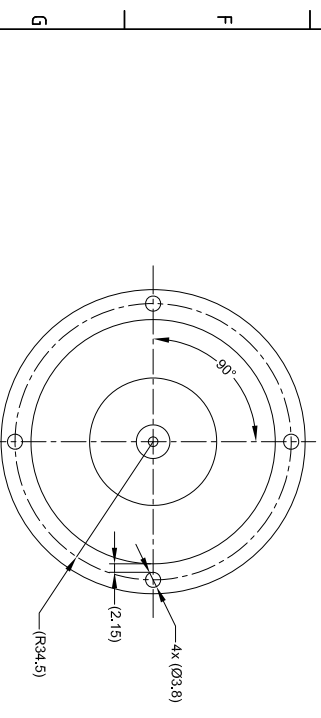
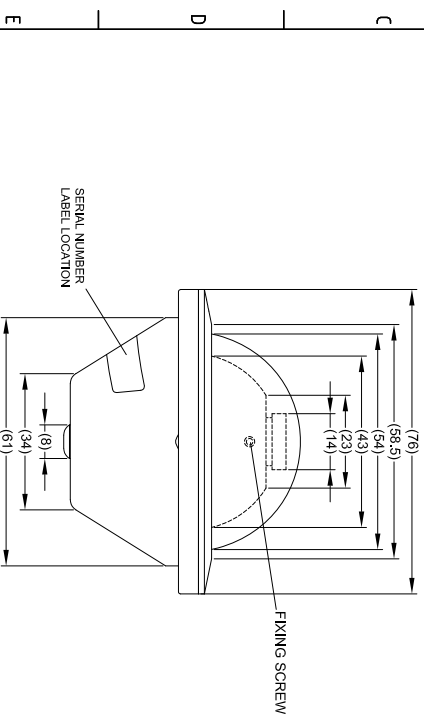
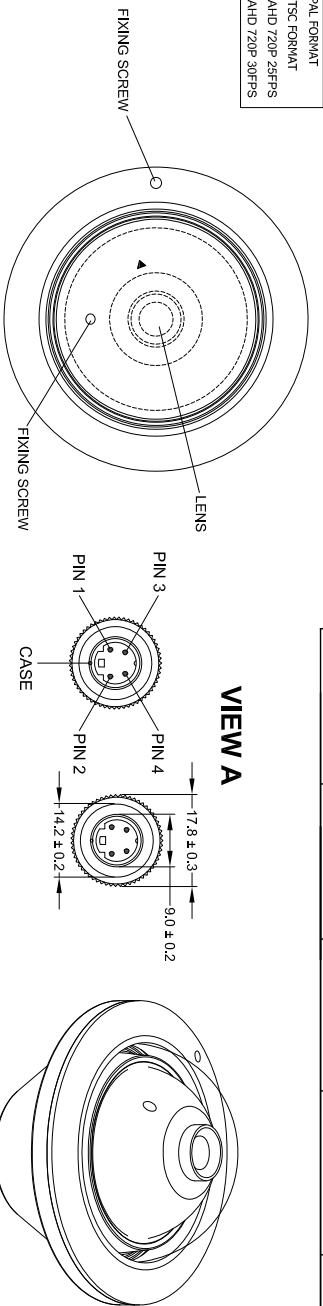


TABLE 2: CAMERA KIT CONTENT

ITEM	PART NUMBER	MODEL NUMBER	QUANTITY
1	4913A	MD-90-C	1
2	5173A	MD-91-C	1
3	5368	MD-90-C	1
4	5369	MD-91-C	1
5	4911A	MD-XX-IG	1
6	5372	MD-XX-SR	1
7	5373	MD-XX-RR	1
8	5371	MD-XX-DOME	1
9	5370	MD-XX-FIX	1

- NOTES:
- CUT WHITE CABLE FOR MIRROR IMAGE AND INSULATE EXPOSED WIRES.
  - REFER TO PRODUCT SPECIFICATIONS FOR TECHNICAL DETAILS.
  - CAMERA IS SUPPLIED ASSEMBLED.
  - FOR PACKAGING AND LABELING DETAIL REFER TO LATEST REVISION OF THE MASTER BOM.

PROPRIETARY NOTICE  
 THIS DESIGN AND TECHNICAL INFORMATION APPEARING ON THIS DRAWING IS THE PROPERTY OF BRIGADE ELECTRONICS, AND IS DISCLOSED IN CONFIDENCE. IT IS NOT TO BE COPIED, REPRODUCED, REVEALED TO OR EXPLOITED BY OTHERS, EITHER IN WHOLE OR IN PART WITHOUT THE EXPRESS WRITTEN CONSENT OF BRIGADE ELECTRONICS.



Assembly PI Approval C. ZHANG (06/11/17)	Approved by B.CHILDS	Checked by L.PILLAY	Drawn by M.BUTLER
Angle of Projection Third Angle	Units mm	Scale N/A	Released 06/11/17
Status RELEASED	Part No SEE TABLE 1	MD-XX SERIES	BE-003739-00-17